

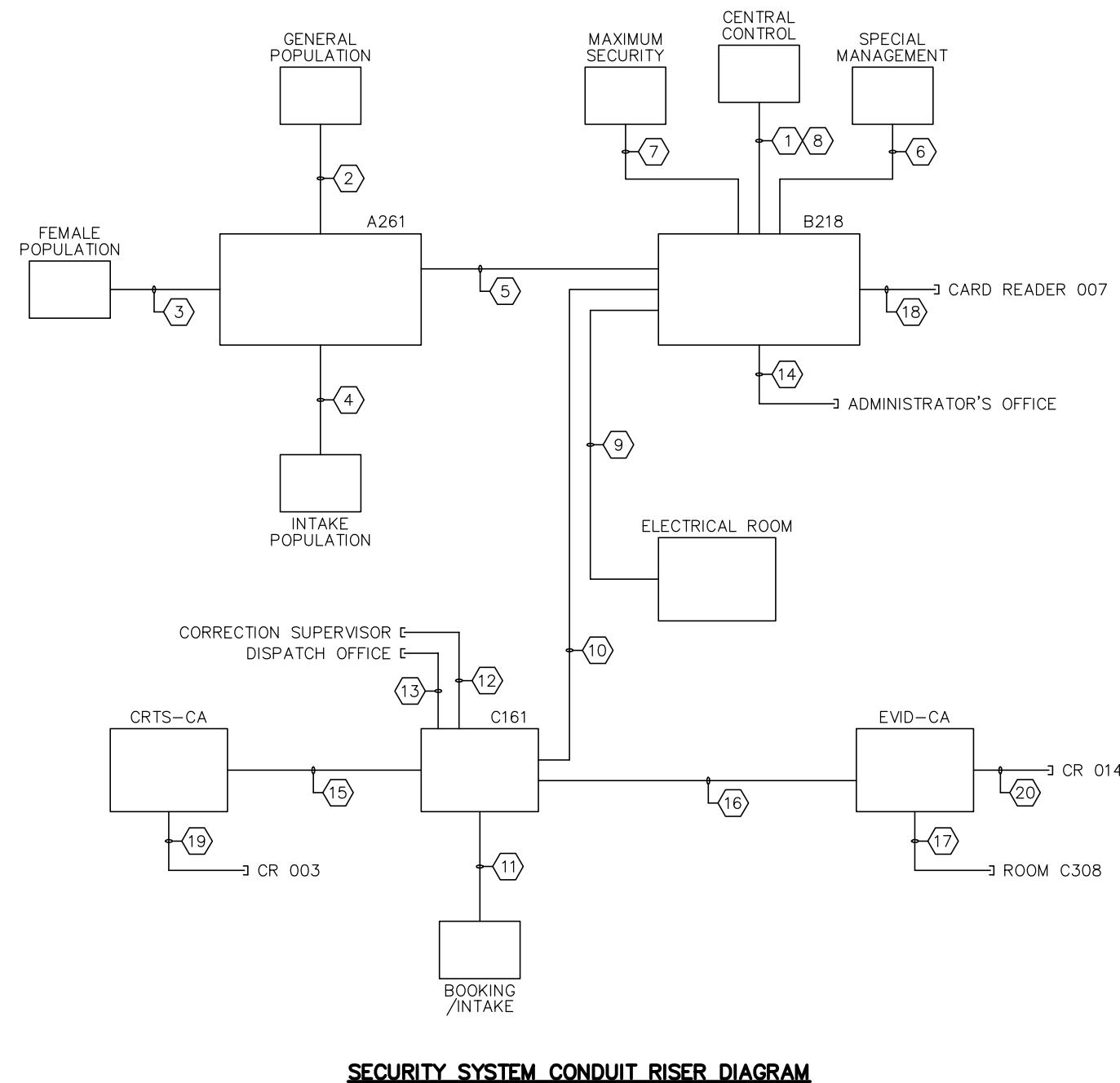
SECURITY SYSTEM UPS CONDUIT RISER DIAGRAM
ALL CONDUIT 3/4" UNLESS OTHERWISE INDICATED

| | DESCRIPTION | BACKBOX | CONDUIT | WIRE | COMMENTS | |
|------------------------------------|-------------|--|--|-------------|-----------|--|
| TOUCHSCREEN-LOOKING CONTROL SYSTEM | ■ | REMOVED CONTROLLED AND MONITORED SWINGING DOOR | EXISTING | EXISTING | NOTE 6 | |
| | ■ | REMOVED CONTROLLED DOOR | EXISTING | EXISTING | | |
| | ■ | REMOVED CONTROLLED MOTORIZED SLIDING DOOR | EXISTING | EXISTING | | |
| | ■ | REMOVED CONTROLLED ROLL-UP DOOR | EXISTING | EXISTING | | |
| INTERCOM SYSTEM | ■ | CONTROLLED DOOR (CARD READER ONLY) | EXISTING | EXISTING | | |
| | ■ | TOUCHSCREEN CONTROL STATION | 4-11/16" SOBOX, 3-1/2" DEEP 1-GANG MUDRING | 3/4" | 2-WP 4246 | REQUIRES 120VAC RECEPTACLE ADJACENT TO DEVICE -SEE UPS RISER FOR DETAILS |
| | ■ | REQUEST TO EXIT PUSH-BUTTON | EXISTING | EXISTING | | |
| | ■ | INTERCOM MASTER STATION, NETWORK | SEE COMMENT | SEE COMMENT | 1-WP 4246 | INCLUDE IN SAME CONDUIT AS TOUCHSCREEN |
| | ■ | INTERCOM MASTER STATION | SEE COMMENT | SEE COMMENT | 1-WP 373 | INCLUDE IN SAME CONDUIT AS TOUCHSCREEN |
| | ■ | VISITATION HANDSET | EXISTING | EXISTING | EXISTING | |
| | ■ | WALL MOUNT INTERCOM STATION | EXISTING | EXISTING | EXISTING | |
| | ■ | PAGING SPEAKER | EXISTING | EXISTING | EXISTING | |
| | ■ | CCTV DOME CAMERA, FIXED | EXISTING | EXISTING | EXISTING | |
| | ■ | CCTV DOME CAMERA, PAN TILT ZOOM | EXISTING | EXISTING | EXISTING | |
| CLOSED CIRCUIT TELEVISION SYSTEM | ■ | DIGITAL VIDEO WORKSTATION | 4-11/16" SOBOX, 3-1/2" DEEP 1-GANG MUDRING | 3/4" | 1-WP 4246 | REQUIRES 120VAC DUPLEX RECEPTACLE ADJACENT TO DEVICE-SEE UPS RISER FOR DETAILS |
| | ■ | CARD ACCESS ADMINISTRATIVE WORKSTATION | 4-11/16" SOBOX, 3-1/2" DEEP 1-GANG MUDRING | 3/4" | 1-WP 4246 | REQUIRES 120VAC RECEPTACLE ADJACENT TO DEVICE -SEE UPS RISER FOR DETAILS |
| | ■ | CARD READER | EXISTING | EXISTING | EXISTING | NOTE 4 |
| | ■ | WATCHTOWER CARD READER | EXISTING | EXISTING | EXISTING | |
| CARD ACCESS SYSTEM | ■ | NETWORK PRINTER | EXISTING | EXISTING | EXISTING | REQUIRES 120VAC RECEPTACLE ADJACENT TO DEVICE |
| | ■ | MOTION DETECTOR | EXISTING | EXISTING | EXISTING | |
| MISC SYSTEM | | | | | | |

SECURITY ELECTRONICS SYMBOL LEGEND

NOTES FOR SECURITY ELECTRONICS SYMBOL LEGEND:

- BACKBOX NOT INDICATED BEING SUPPLIED BY OTHERS ARE TO BE SUPPLIED BY E.C.
- SCHEDULE IS FOR ESTIMATION PURPOSES ONLY. CONTRACTOR SHALL CONFIRM ALL INFORMATION PRIOR TO INSTALLATION WITH SYSTEM SUPPLIER'S APPROVED SHOP DRAWINGS.
- WIRE AND CABLE SHALL BE IDENTIFIED AND TAGGED BY E.C. IN ACCORDANCE WITH DETENTION ELECTRONICS SUPPLIER'S SHOP DRAWINGS.
- ALL NEW DEVICES DENOTED WITH A "N".



SECURITY SYSTEM CONDUIT RISER DIAGRAM

| WIRE MARK | MANUFACTURER # | | DESCRIPTION | FUNCTION |
|-----------|-------------------|--------------|-------------------------|---------------------|
| | NON-PLENUM | PLENUM | | |
| A | W.P. 4246 | W.P. 254246 | 24GA 4-UTP | CAT-6 NETWORK CABLE |
| B | W.P. 373 | W.P. 25373 | 22GA 2-UTP, 1-STP | INTERCOM MASTER |
| C | #12 THHN STRANDED | N/A | 12GA STRANDED CONDUCTOR | POWER / CONTROL |
| D | W.P. 3270 | W.P. 253270B | 22GA 6-CONDUCTOR SHLDED | CARD READER STATION |

CABLE SCHEDULE
NOTE A1

| TAG | CONDUIT | NETWORK | AUDIO | CCTV | CARD ACCESS | MISC. | COMMENTS |
|-----|---------|---------|-------|------|-------------|-------|-----------------|
| 1 | 3/4" | | | | | 3-C | UPS POWER |
| 2 | 3/4" | 2-A | 1-B | | | | TS-4 |
| 3 | 3/4" | 2-A | 1-B | | | | TS-5 |
| 4 | 3/4" | 2-A | 1-B | | | | TS-6 |
| 5 | 3/4" | 2-A | 1-B | | 1-A | | TS-3 |
| 6 | 3/4" | 2-A | 1-B | | | | TS-8 |
| 7 | 3/4" | 2-A | 1-A | | | | TS-1 |
| 8 | 3/4" | 2-A | 1-A | | | | TS-2 |
| 9 | 3/4" | 1-A | | | | 1-A | |
| 10 | 3/4" | 2-A | 2-A | | | 1-A | |
| 11 | 3/4" | 2-A | 1-A | | | | TS-7 |
| 12 | 3/4" | | | 1-A | | | |
| 13 | 3/4" | | | 1-A | | | |
| 14 | 3/4" | | | 1-A | | | |
| 15 | 3/4" | 1-A | | | | 1-A | |
| 16 | 3/4" | | | | 1-A | | |
| 17 | 3/4" | | | | 1-D | | CARD READER 007 |
| 18 | 3/4" | | | | 1-D | | CARD READER 003 |
| 19 | 3/4" | | | | 1-D | | CARD READER 014 |

CONDUIT RISER TAG SCHEDULE
NOTE A2

NOTES FOR SECURITY SYSTEM CONDUIT RISERS:

- CABLE SCHEDULE LISTS BOTH PLENUM AND NON-PLENUM VERSIONS FOR SOME CABLES; IF RUN IS NOT IN CONDUIT, THEN USE PLENUM-RATED CABLE IF REQUIRED BY NEC.
- SCHEDULE SHOWS EACH CABLE RUN TO GENERAL LOCATIONS; SEE OTHER DOCUMENTS FOR THE EXACT TERMINATION POINTS OF EACH CABLE SO THAT THE PROPER LENGTH CAN BE LEFT IN EACH ROOM TO REACH THE CABLE'S FINAL DESTINATION.
- PROVIDE SUITABLE 120VAC EMERGENCY POWER RECEPTACLE REQUIRED TO POWER EACH UPS SIZED AS SHOWN.

| | | |
|-----------------------|---|---------------|
| | OSWEGO COUNTY PUBLIC SAFETY CENTER OSWEGO, NY | |
| | SECURITY ELECTRONICS/ SYMBOL LEGEND | |
| SCALE: NONE | DATE: 11/20/09 | DRAWN BY: NAC |
| PROJECT NUMBER: 10163 | DRAWING NUMBER: 10163001 | REV. 2 |

| REV | DATE | BY | REVISION DESCRIPTION |
|-----|----------|-----|----------------------|
| 2 | 03/22/10 | NAC | ADDED CONDUIT RISER |
| 1 | 03/03/10 | NAC | SUBMITTAL |

2900 CRESTWOOD BLVD IRONDALE, AL 35210