

OSWEGO COUNTY DPW

PROJECT CR 54 OVER SIX MILE CREEK

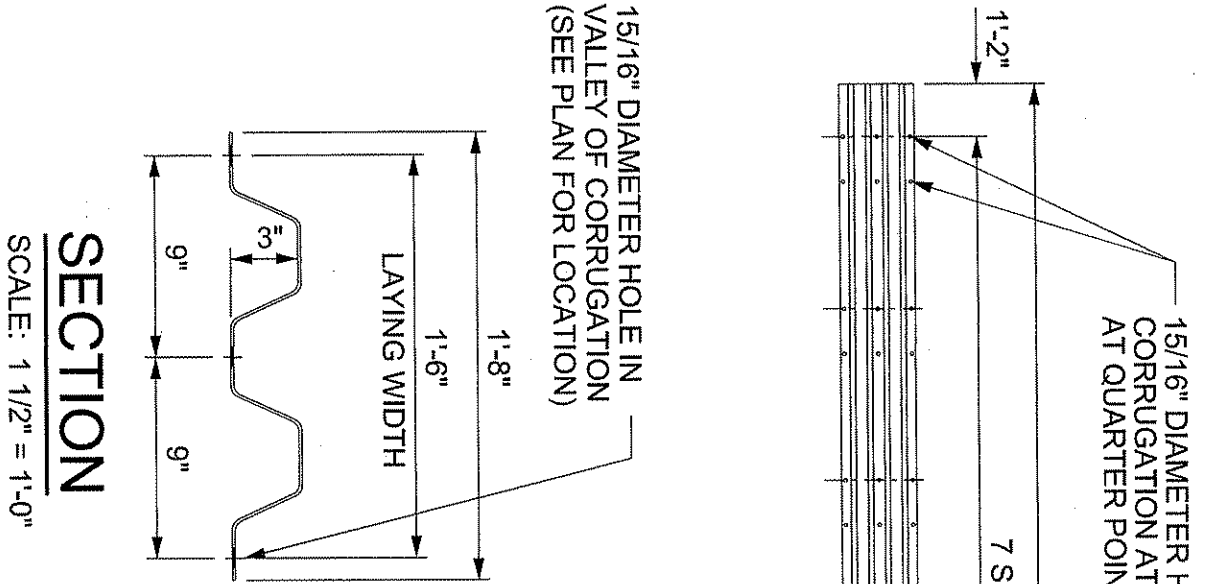
SHEET 1 OF 1

BIN 3313480, CP 176, 2009

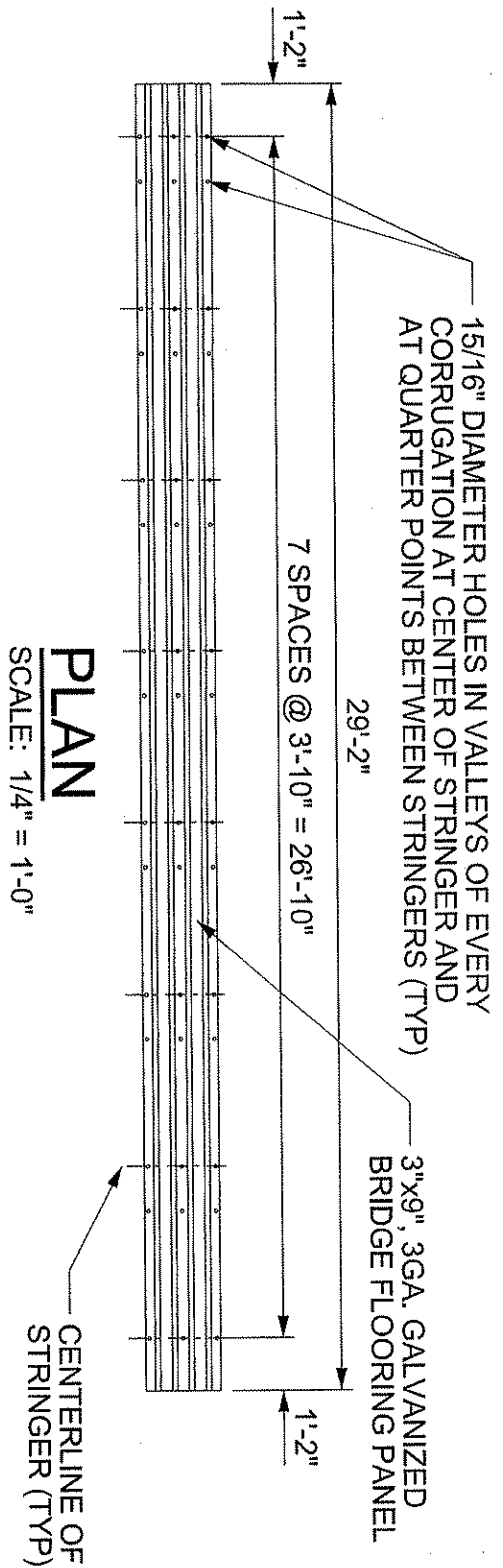
PREPARED BY CNB

DATE 1/15/09

CHECKED BY _____ DATE _____



SECTION
SCALE: 1 1/2" = 1'-0"



PLAN
SCALE: 1/4" = 1'-0"

CORRUGATED BRIDGE DECK SPECIFICATION:

CORRUGATED STEEL DECK SHALL BE 3"x9", 3 GAUGE, HAVING A SECTION MODULUS NO LESS THAN 5.89 CUBIC INCH, A DESIGN THICKNESS NO LESS THAN 0.2391", AND A WEIGHT OF 15.0 PSF. MATERIAL TO BE ASTM A283 STEEL. FLOORING TO BE HOT DIP GALVANIZED IN ACCORDANCE WITH ASTM A123. FURNISHED IN 1'-6" LAYING WIDTHS BY 29'-2" AND DESIGNED FOR PLUG WELD ATTACHMENT TO STRINGERS. DAMAGE TO HOT DIP GALVANIZED COATING RESULTING FROM HANDLING OR OTHER FACTORS TO BE REPAIRED IN ACCORDANCE WITH ASTM A780.

QUANTITIES
24 - PANELS
160 LF - END DAMS