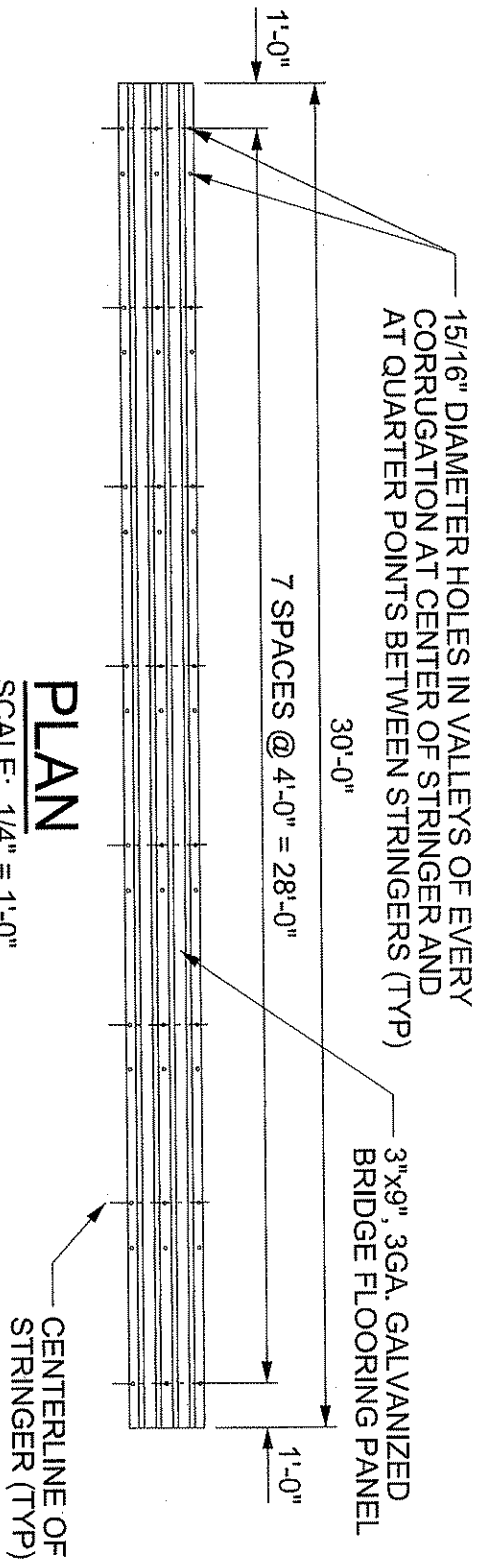


# OSWEGO COUNTY DPW

PROJECT COUNTRYMAN ROAD OVER SAGE CREEK SHEET 1 OF 1

BIN 3209000, CP 177, 2009

PREPARED BY CNB DATE 12/28/08 CHECKED BY \_\_\_\_\_ DATE \_\_\_\_\_

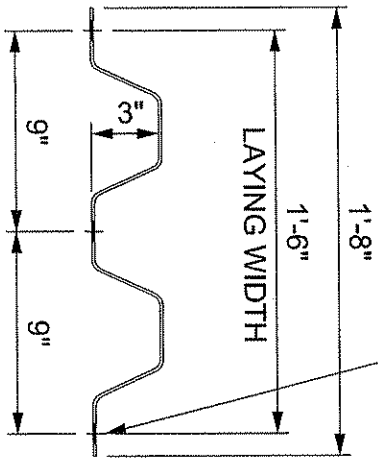


**PLAN**  
SCALE: 1/4" = 1'-0"

**CORRUGATED BRIDGE DECK SPECIFICATION:**

CORRUGATED STEEL DECK SHALL BE 3"x9", 3 GAUGE, HAVING A SECTION MODULUS NO LESS THAN 5.89 CUBIC INCH, A DESIGN THICKNESS NO LESS THAN 0.2391", AND A WEIGHT OF 15.0 PSF. MATERIAL TO BE ASTM A283 STEEL. FLOORING TO BE HOT DIP GALVANIZED IN ACCORDANCE WITH ASTM A123, FURNISHED IN 1'-6" LAYING WIDTHS BY 30'-0" AND DESIGNED FOR PLUG WELD ATTACHMENT TO STRINGERS. DAMAGE TO HOT DIP GALVANIZED COATING RESULTING FROM HANDLING OR OTHER FACTORS TO BE REPAIRED IN ACCORDANCE WITH ASTM A780.

15/16" DIAMETER HOLE IN VALLEY OF CORRUGATION (SEE PLAN FOR LOCATION)



**SECTION**  
SCALE: 1 1/2" = 1'-0"

**QUANTITIES**  
**30 - PANELS**  
**120 LF - END DAMS**